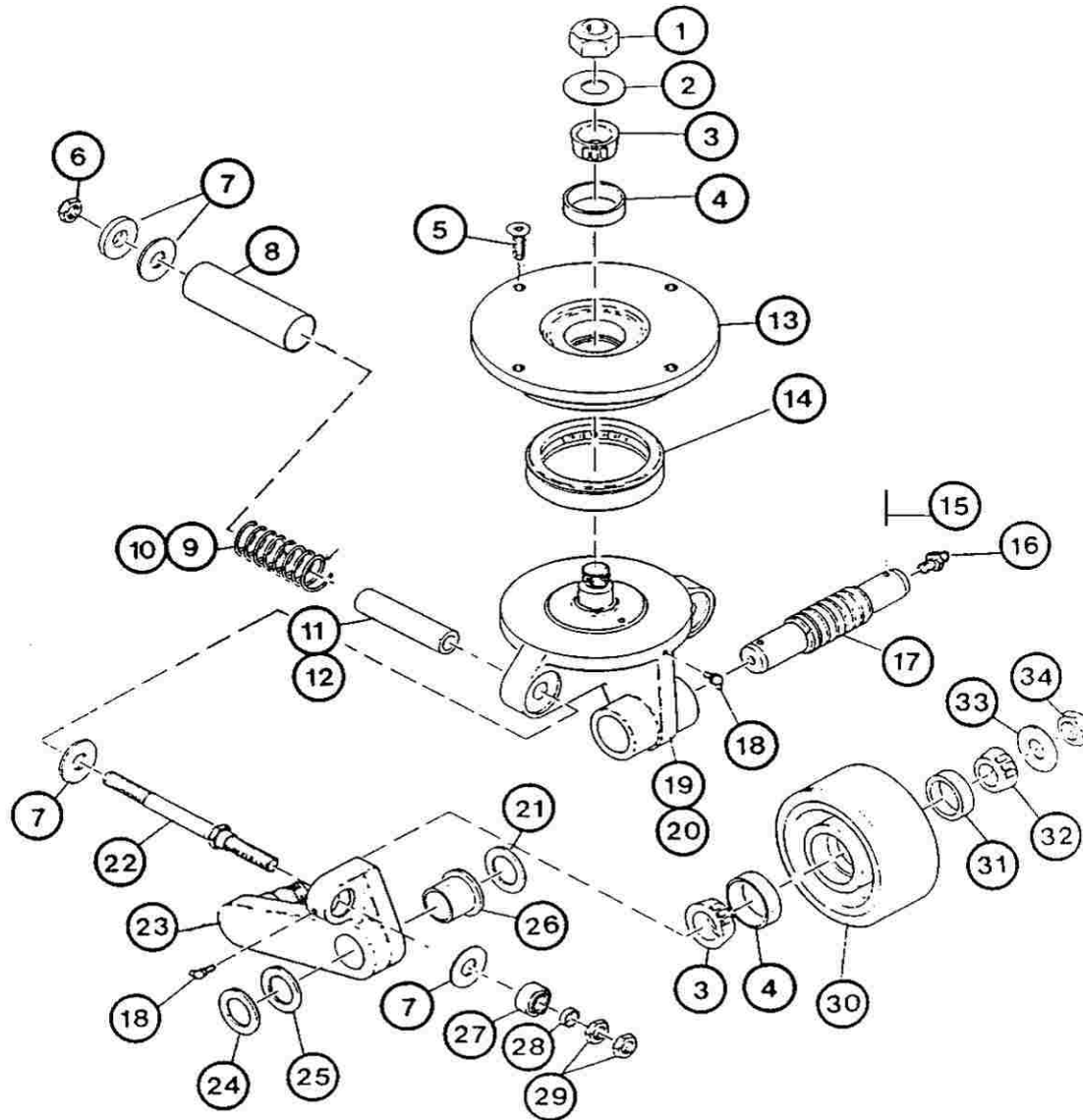


Raymond Caster Assembly



Ref	Part Number	Description	Qty
1	015-760-159	Hex Nut	1
2	015-812-001-311	Washer	1
3	000-1425-4442	Bearing Cone	3
4	000-1425-4435	Bearing Cup	3
5	015-715-041	Screw	4
6	000-1036-2010	Nut - 5/8-18	2
7	000-1069-1030	Flat Washer	4
8	015-812-001-761	<i>* Sleeve</i>	2
9	000-518-5962	Spring	2
10	<i>015-830-187</i>	<i>* Spring</i>	2
11	015-812-001-267	Sleeve	2
12	<i>015-812-001-748</i>	<i>* Sleeve</i>	2
13	<i>015-812-000-102</i>	<i>Pivot</i>	1
14	000-1425-1435	Bearing	1
15	015-810-948	Cotter Pin	2
16	000-1232-4500	Grease Fitting	2
17	015-812-001-261	Axle Shaft	1
18	015-840-021	Grease Fitting	3
19	<i>015-812-001-260</i>	<i>Pivot</i>	1
20	015-812-001-262	Caster Arm	1
21	000-1400-8013	Felt Washer	2
22	015-812-001-266	Caster Bolt	2
23	015-812-001-263	Caster Arm	1
24	000-762-1020	Bearing	2
25	000-1400-8012	Felt Washer	2
26	015-462-279	Bearing	2
27	000-1427-3832	Bearing	2
28	000-766-1013	Sleeve	2
29	000-1026-0010	Jam Nut	4
30	000-593-6047	Caster Wheel	2
31	000-1425-3229	Bearing Cup	2
32	000-1425-3224	Bearing Cone	2
33	015-812-000-119	Washer	2
34	000-1033-2014	Hex Nut 7/8-14	2

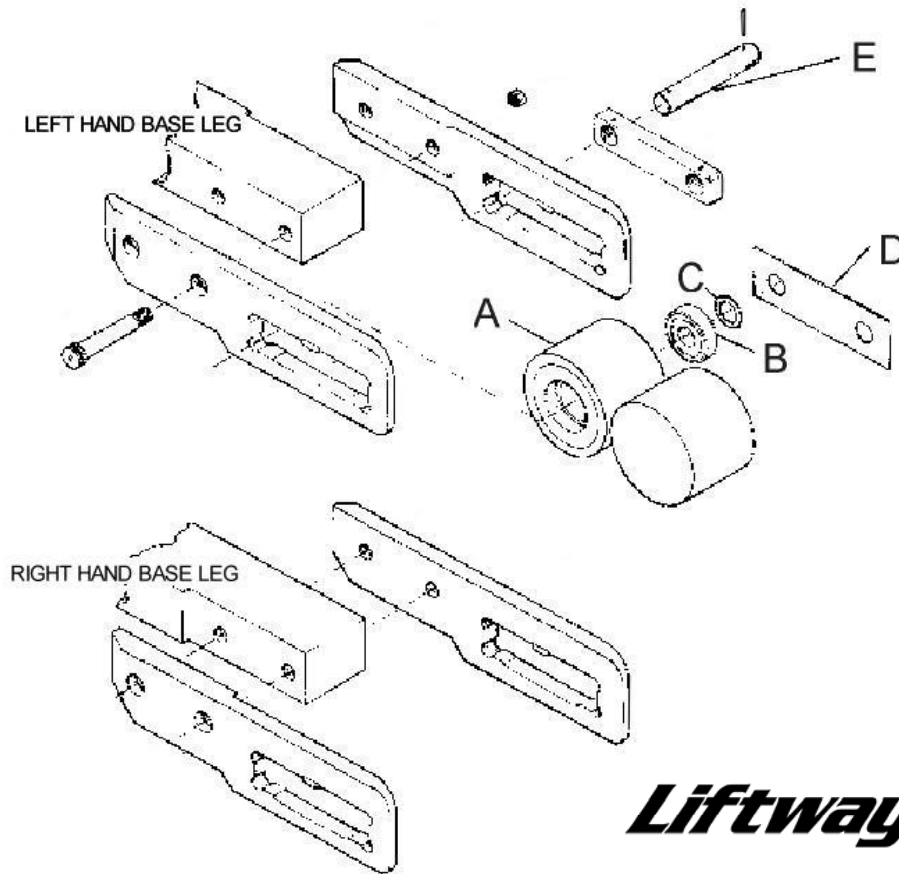
* Items for Scrambler only

Bold items are available aftermarket
 Italics items are OEM only



Raymond Load Wheel Guide

Model 20 series



3,000 lb Capacity

A	000-593-4811
B	000-1426-1633
C	000-762-1046
D	000-762-1250
E	See Chart Length

4,000 lb Capacity

A	000-593-4834
B	000-1426-1653
C	000-762-1046
D	000-762-1250
E	See Chart Length

E- Axle

5.5"	623-010-181-002
4.75"	623-010-110-001

Liftway